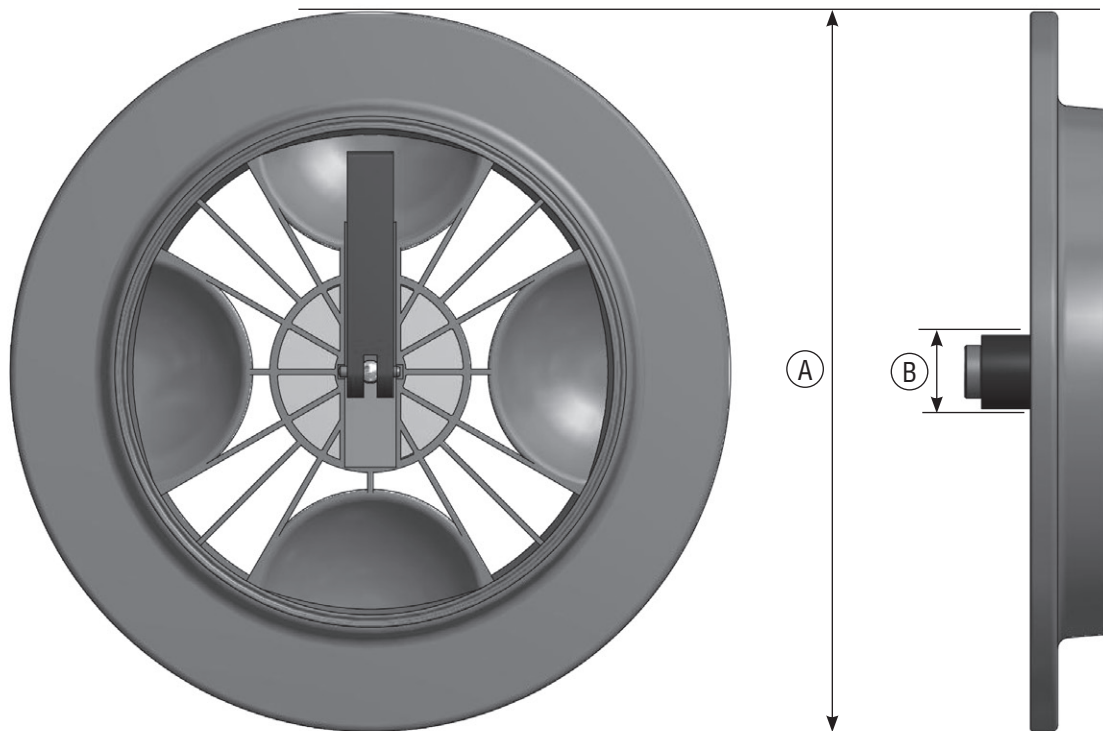


# Contour



## TECHNISCHE DATEN

|                                 |            |
|---------------------------------|------------|
| Max. Trommelgewicht             | 140 kg     |
| A) Max. Trommel-Ø               | 510 mm     |
| B) Spannbereich Innen-Spannkern | 55 - 62 mm |

## BESTELL-NR.

|                         |        |
|-------------------------|--------|
| Contour (Set = 2 Stück) | A90501 |
|-------------------------|--------|

## ZUBEHÖR

|                              |            |
|------------------------------|------------|
| Innen-Spannkern groß Ø 79 mm | A9050112   |
| Spannbereich Innen-Spannkern | 79 - 94 mm |

## TECHNICAL DATA

|                               |            |
|-------------------------------|------------|
| Max. weight of drum           | 140 kg     |
| A) Max. Ø of drum             | 510 mm     |
| B) Holding capacity outer rim | 55 - 62 mm |

## ORDER CODE

|                        |        |
|------------------------|--------|
| Contour (set = 2 pcs.) | A90501 |
|------------------------|--------|

## ACCESSORIES

|                                  |            |
|----------------------------------|------------|
| Large capacity outer rim Ø 79 mm | A9050112   |
| Holding capacity outer rim       | 79 - 94 mm |