



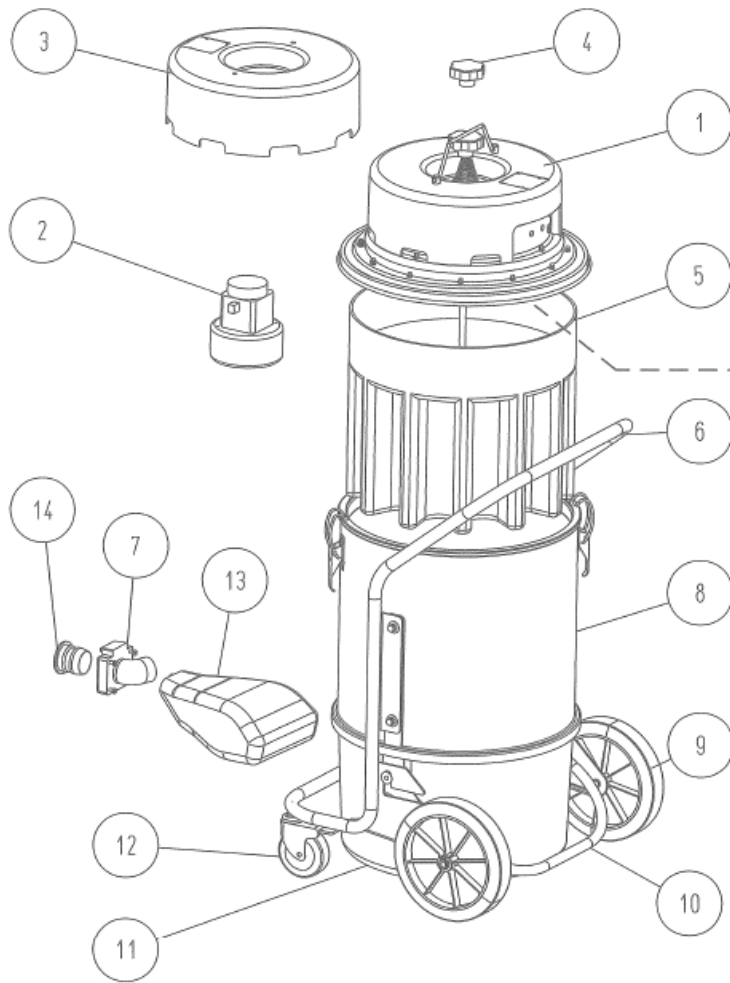
CV 324

SPARE PARTS LIST

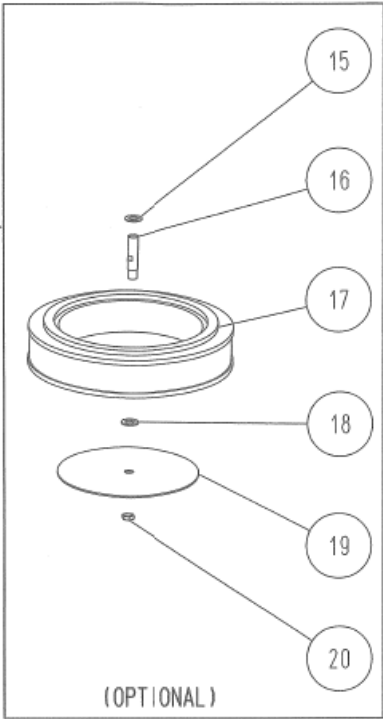
Pos.	Code	Description	Type (*)	Notes
1		Complete head		
	310369407	Switch Cpl.		
2	310404569	Motor		
3		Cover		
4		Knob		
5	310326340	Filter		
6		Frame	S	
7		Inlet	S	
8		Container	S	
9		Wheel	S	
10		Lever	W	
11	310409353	Container	W	
12	310360418	Wheel	S	
13		Bag	S	
14	310374719	Hose inlet	S	
15		Washer	W	
16		Spacer		
17		HEPA filter		
18		Washer		
19		Disc		
20		Nut		

(*): S = Spare part, W = Wear part

Wear parts are worn out through normal use of the machine. The wear period depends a lot on the intensity of use of the machine. Wear parts must be serviced, used and eventually changed following the indications of the manufacturer. Any wear due to normal use of the machine will not be considered as a case of warranty. Genuine Clipper replacement parts should always be used.



Optional HEPA filter kit
 Including parts 15,16,17,18,19,20
 Part number





SAINT-GOBAIN ABRASIVES

190, Bd. J. F. Kennedy
L-4930 BASCHARAGE
LUXEMBOURG

Tel.: ++352 50401-1

Fax: ++352 501633

e-mail: sales.nlx@saint-gobain.com

www.construction.norton.eu

04.08.2009